

© The content of this drawing is subject to the Copyright, Designs and Patents Act 1988. Reproduction in any part of this drawing without written consent from Snug Architects Ltd.

OS (© Crown Copyright 2023. All rights reserved. Licence No. 100022242. Snug Architects Ltd. Landmark OS Paper Map Copying Licence No. LAN11000247

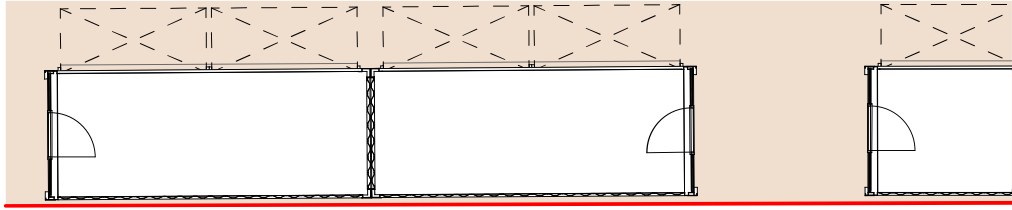
Do not scale from this drawing for construction purposes. All dimensions must be checked by the contractor before commencing work on site.

Unless otherwise noted, boundaries have not been surveyed. The contractor is responsible for verifying the accuracy of their precise location before commencing work on site.

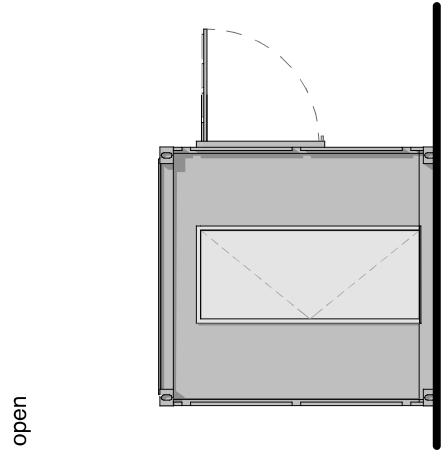
Any discrepancies are to be brought to the attention of Snug Architects Ltd. If in doubt, ask.

Notes

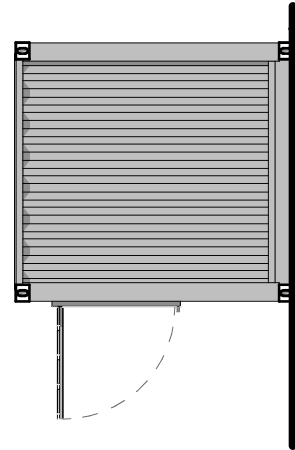
Note: Kiosks indicative only. Proposed to be made from containers and branded by tenants. Fit-out also by tenants. Position and orientation/handling as illustrated on site plan, refer to drawing 1555.



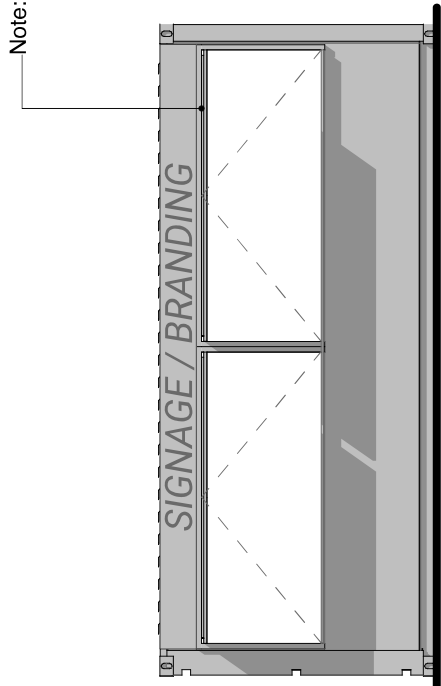
05 Ground Floor Plan - Kiosks
Scale 1:100



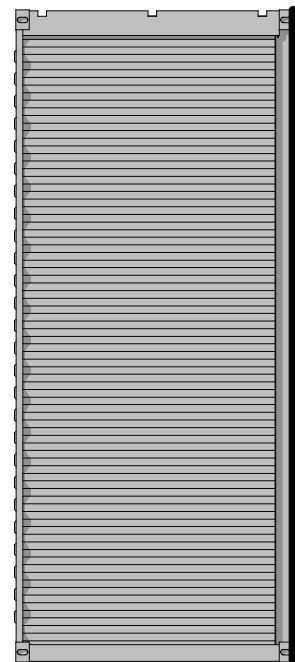
02 Kiosk - Side Elevation
Scale 1:50



04 Kiosk - Side Elevation
Scale 1:50



01 Kiosk - Front Elevation
Scale 1:50



03 Kiosk - Rear Elevation
Scale 1:50

A 21/03/20 673 Amendments to HL / PB
Landscaping of northern site
and Block A Use Class

Rev	Date	Description	DB/GB
0			

Project
Boscombe Phase 1
Hawwood Road
Boscombe
BH1 4AS

status
Planning
drawing title
Kiosk Plan and Elevations

drawn	checked	date	scale
OL	PB	04 2025	1:100, 1:50

Drawing Code

Project	Originator	Vol	Iss	Type	Block Number	Rev
PT101	SNUG	XX	00	DR	-A	1720 - A

99 Rumbidge Street,
Totter, Southampton,
Hampshire SO40 9DR
info@snugarchitects.co.uk
www.snugarchitects.co.uk
02392 029500

